

Chelsea® 271 Series

Power Shift P.T.O. with Low Profile Housing
For Allison 1000, 2000 and 2400 Automatic
Transmissions



Overview:

Quality knows quality, that's why Allison chose Chelsea to join their engineers in developing P.T.O.s specifically for the Allison 1000, 2000, 2400 Series Transmissions. The versatile 271 Series is a Powershift P.T.O. This provides the operator a smooth engagement with no gear clashing which helps extend the life of the P.T.O. and transmission gears. The low profile housing design will provide better clearance from frame rail interference. It is available in four speed ratios, six shift options and eleven output types including Chelsea's popular 360° rotatable flange. The 271 Series features an option for protecting your driven equipment, this is our Electronic Overspeed Control (E.O.C.). This feature prevents the driver from going down the road with the P.T.O. engaged preventing cavitations on hydraulic equipment. Another popular feature available for the 271 Series is the internal self adjusting shaft brake. This prevents shaft rotation on devices such as water or transfer pumps when the P.T.O. is disengaged.

- LP Gas Trucks
- Water Trucks
- Fire and Rescue
- Aerial Devices
- Dump Truck & Trailers
- Snow and Ice Removal

Contact Information:

Parker Hannifin Corporation
Chelsea Products Division
8225 Hacks Cross Road
Olive Branch, MS 38654 USA

Phone: 1-888-PH4-TRUK
(1-888-744-8785)

Fax: 1-662-895-1069
chelseacustserv@parker.com

www.parker.com/chelsea



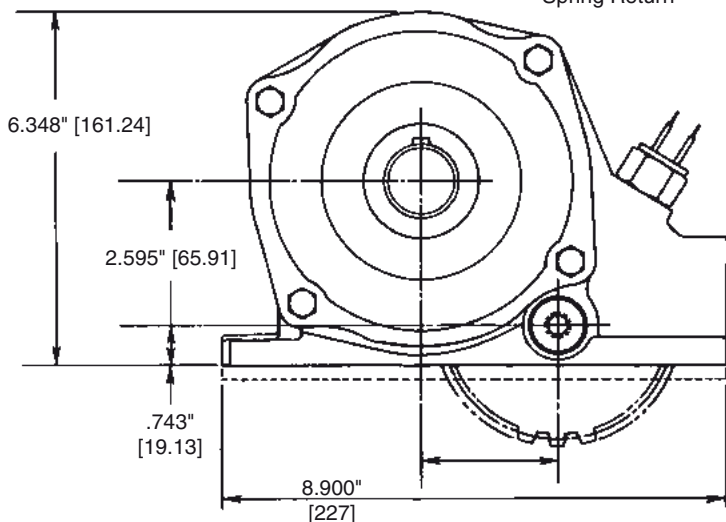
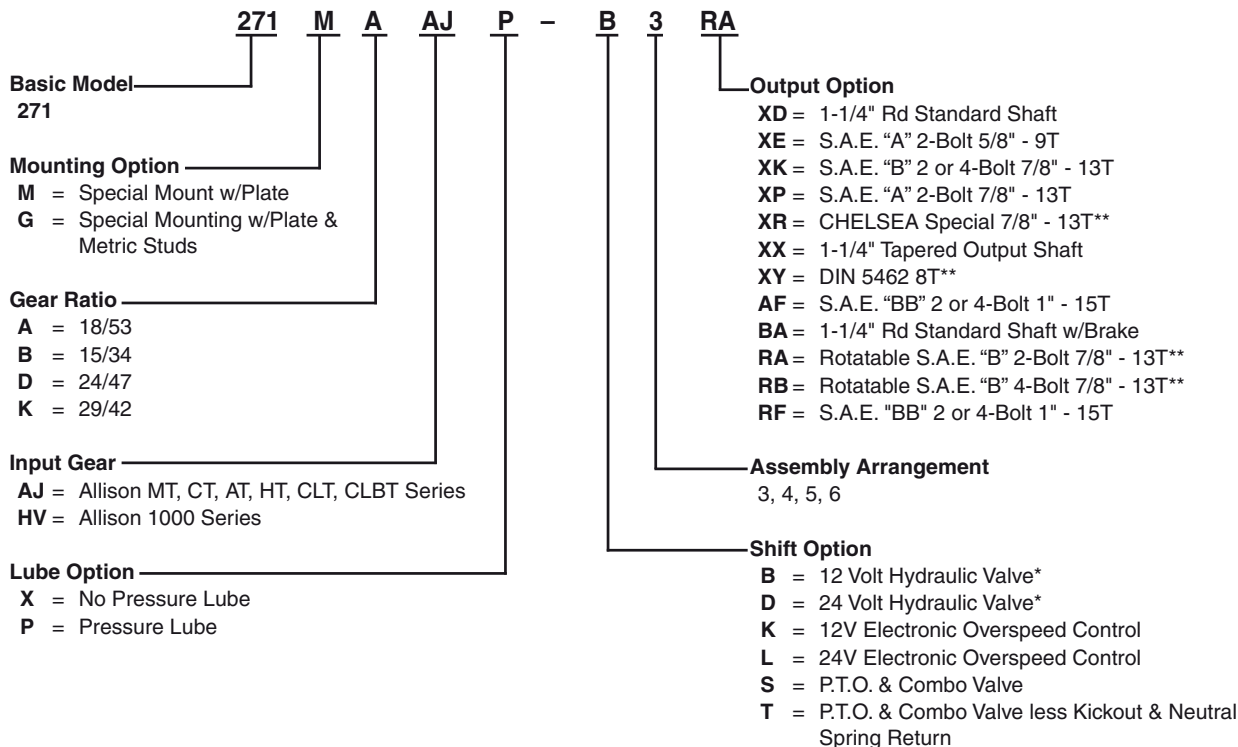
Product Features and Benefits:

- Designed for automatic transmissions
- Electric-over-hydraulic shifting
- 271 offers low profile housing for avoiding clearance problems
- Pressure lubrication available for both units
- Internal self adjusting shaft brake option (patent #7159701)
- P.T.O./Dump Pump combo valve shift option available
- Two Year Warranty
- Electronic Overspeed Control
- No Backlash to set
- Two Year Warranty



ENGINEERING YOUR SUCCESS.

Model Number Designation



*Includes mounting parts
**Available assembly 3 & 5 only

Series Specifications Chart – 271 Series

	271*A,B,D & K All Lube Types
Standard Output Shaft Size	1-1/4"
Intermittent Torque Rating (Lbs. ft.)	250
Intermittent Torque Rating (N.m.)	339
Horsepower Rating for Intermittent Service	
At 500 R.P.M. of Output Shaft (HP)	24
At 1000 R.P.M. of Output Shaft (HP)	48
At 500 R.P.M. of Output Shaft (Kw)	18
At 1000 R.P.M. of Output Shaft (Kw)	36
Approximate Weight:	49 lbs. [22 kg]